

Electrical Rotary Actuator Type 1202 – ON/OFF or Control Valve

Type 1202 Electrical Rotary Actuator – Torque 9 Nm

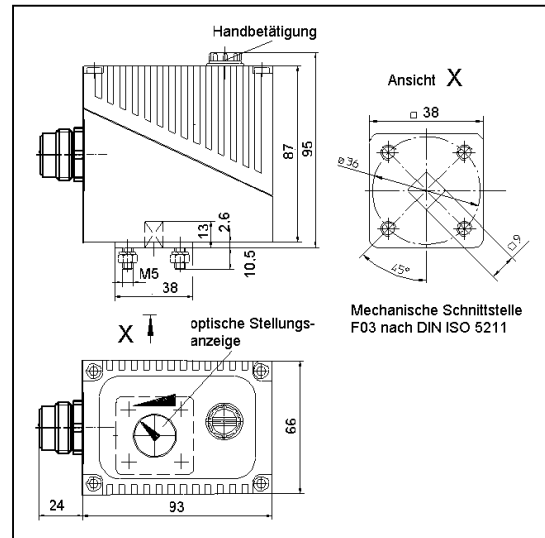


DESCRIPTION

The electrical actuator can be utilized as ON/OFF or as control valve.
The connection between actuator and control element is realized by a mechanical interface acc. to DIN ISO 5211.
The actuator can be operated manually by hand and owns a position indicator.

TECHNICAL DATA

Power supply	24 VDC or 230 V/ 50Hz
Nominal current	230 mA at 24 VDC 10 mA at 230 VAC
Power consumption	5,5 W or 2,3 W
Duty cycle	Intermittent duty 50% ED
Torque	9 Nm
Angle of rotation	90°
90° rotation time	14 sec
Protection class	IP 67
Actuator versions	- 2 limit switches - Potentiometer 4,7 kΩ - 0-10 V or 4-20 mA
Electrical connections	7-pin circular plug or M12x1, 8-pin multipole further on request
Connection actuator with control element	Interface F03 acc. to ISO 5211
Ambient temperature	0 to 50°C
Body material	Plastic PA, black



ORDER-TABLE

Electrical actuator – Torque 9 Nm with 7-pin circular plug

Version	power. / frq. (V/Hz)	Order – No.
with 2 limit switches	24 / DC	P1000285
with 1 Potentiometer		P1000286
with controller card 0-10 V or 4-20 mA	230 / 50 DC	P1000289
with 2 limit switches		P1000287
Connection box 7-pin		P1000290

OPTIONAL

- External battery pack for electric power failure for 24 VDC supply only
- Power supply 12 VDC
- Transmission drive with cable connection and PG-screwing
- end position signal
- 90° rotation time: 7 sec